

Digital high speed camera

HAS-U1

USB 3.0 bus power
1.3M 1280 x 1024 200fps
Embedded memory / DMA hybrid model



HAS-U1 is a high speed camera with 1/2-inch CMOS sensor and 1.3M 1280 x 1024 effective pixels that can shoot 200 fps at full resolution, 800 fps at VGA, and up to 4,000 fps by limiting the pixel area. Perfect for multiple high speed camera imaging with embedded memory on it's compact gear.

- Well balanced on pixel resolution and frame rates.
- It can use both embedded 2GB memory mode and direct memory access mode with USB 3.0 as the situation demands.
- Fully synchronized multiple high speed camera system with just one laptop PC.
- Large volume of memory by using 64bit OS.
- Low power consumption design for USB 3.0 bus powered device will give you easy cabling layout.
- Internal / External sync
- 10bit A/D
- Data transmission rate at 250MB/sec.
- Unit weight approx. 210g, unit size (W x H x D) 44 x 44 x 81.5mm

Perfect for all kind of research/production engineering in behavior, fluid, sports science, biomechanical, robotics, machine vision, crash test, droplet, microscopy, trouble shooting, and more.



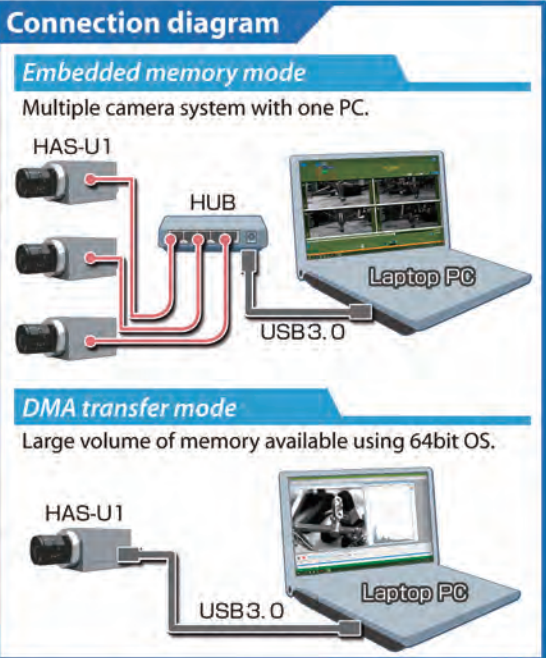
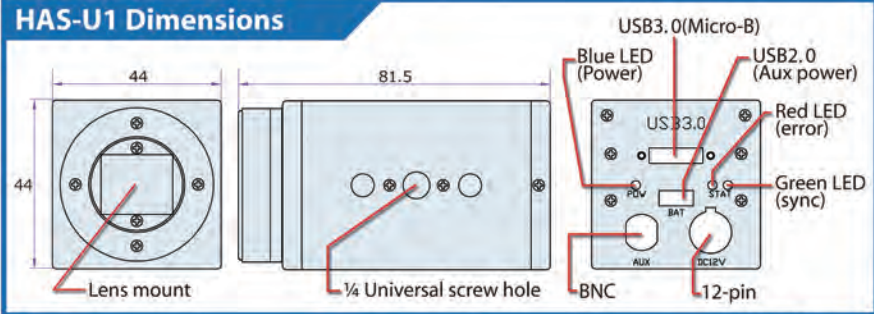
Frame rate and pixel size

Pix	H	112	240	320	320	576	512	640	800	1024	1280	1024	1280
Fps	V	80	180	240	320	256	480	480	600	768	768	1024	1024
4000	●												
3000	●	●											
2500		●	●										
2000		●	●	●									
1500			●	●	●								
1000				●	●	●							
800					●	●	●						
500						●	●	●					
400							●	●	●				
300								●	●	●			
250									●	●	●		
200										●	●	●	●
150											●	●	●
100												●	●
60													●

Reference recording frame number and time on main fps and resolution

Fps	resolution	Frame number (at 2GB)	Recording time (at 2GB)
200	1280x1024	1632 f	8.1 sec
500	800x600	4466 f	8.9 sec
800	640x480	6982 f	8.7 sec
2500	320x240	27943 f	11.1 sec

*You can use large volume of memory on the PC in DMA mode.



Specifications

Camera	
Camera type	Mono (HAS-U1M) Color (HAS-U1C)
Sensor type	CMOS
A/D	10bit
Effective resolution	1280 x 1024 (1.3M pixel)
Sensor format	1/2 inch
Lens mount	C
Recording mode	Embedded memory / DMA transfer
Memory size	2GB
Data output	USB 3.0
Interface	Micro-B
Shutter(exposure)	Minimum 1/100,000(10μ)
Sensitivity(at 550nm)	7.7 V/lux.s
Power input	5V
Power delivery	USB bus power / 12pin
Electric requirement	Under 4.5W
weight	Approx. 210g
Size	44mm x 44mm x 81.5mm
Control software	
Trigger mode	Start/End/Variable (3.3V TTL or contact signal)
Aux function	Histogram, Guide line, Focus peaking, Live image rotation, Time stamp, Trimming, Text
Image format	AVI, WMV, BMP/Jpeg, RAW
Supported OS	Windows7, 8, 10(32 bit or 64bit)

*Specification and external appearance are subject that may change without notice.

DITECT
Digital Image Technology

DITECT Corporation

Tokyo international office : 1-8, Nanpeidai-cho, Shibuya-ku, Tokyo 150-0036, Japan
Phone : +81-3-5457-1212 Fax : +81-3-5457-1213

<http://www.ditect-corp.com/> or <http://www.ditect.co.jp/>

Please visit our homepage for detailed information about DITECT products. You can access all product descriptions as well as obtain information about exhibitions, and you can make a request of information and other inquiries.

ENDOMATRIX

EndoMatrix (M) Sdn Bhd
No. 51-5, Block G, Dataran Prima, Jalan PJU 1/37, 47301 Petaling Jaya, Selangor Darul Ehsan, Malaysia.
Phone: 03-7803 1145 | Fax: 03-9101 4814
sales@endomatrix.com.my | www.endomatrix.com.my